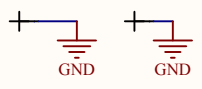
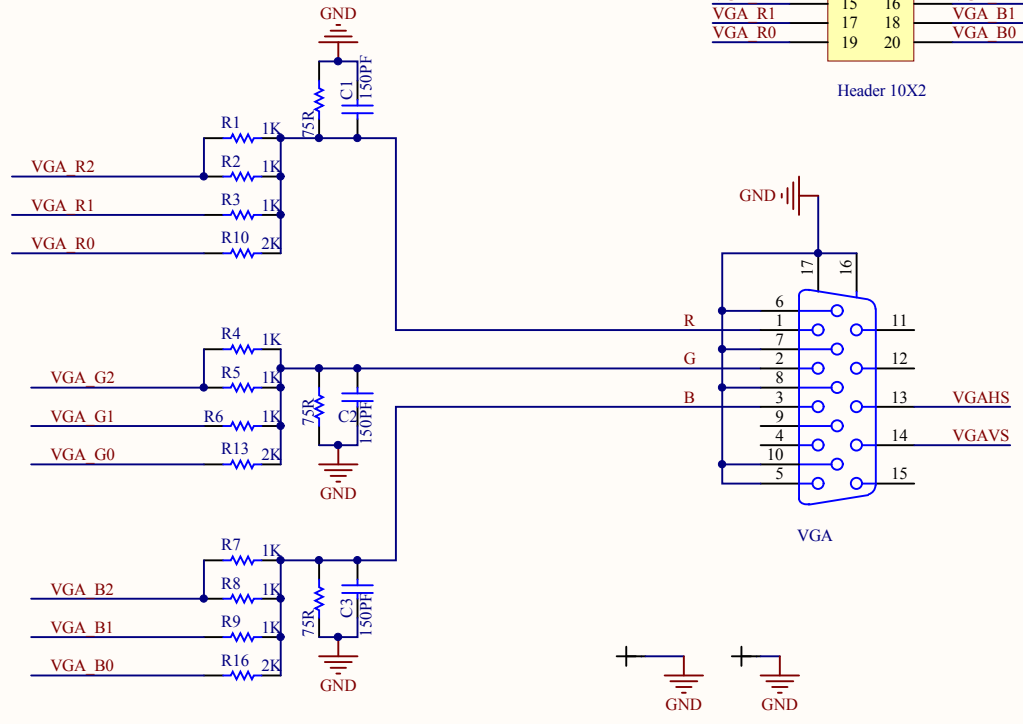


Header 10X2



Title		
Size	Number	Revision
A4		
Date:	2013-11-26	Sheet of
File:	E:\PCB\WGA PS2 Board.SchDoc	Drawn By:

Comment	Description	Designator	Footprint	LibRef	Quantity
waveshare_logo			WS_symbol_XXL	waveshare_logo	1
Header 10X2		16BitI/O	SIP10X2	Header 10X2	1
150PF	Capacitor	C1, C2, C3	0603	Cap	3
VGA	Receptacle Assembly, 15-Pin, Sim Line Connector	DB1	DB15_2	D Connector 15	1
luosihole L		luosihole L1, luosihole L2	luosikong L	luosihole L	2
PS2		PS2	PS2	Header 3X2	1
1K	Resistor	R1, R2, R3, R4, R5, R6, R7, R8, R9	0603	R_0603	9
2K	Resistor	R10, R13, R16	0603	R_0603	3
75R	Resistor	VGA_R1, VGA_R2,	0603	Res1	3