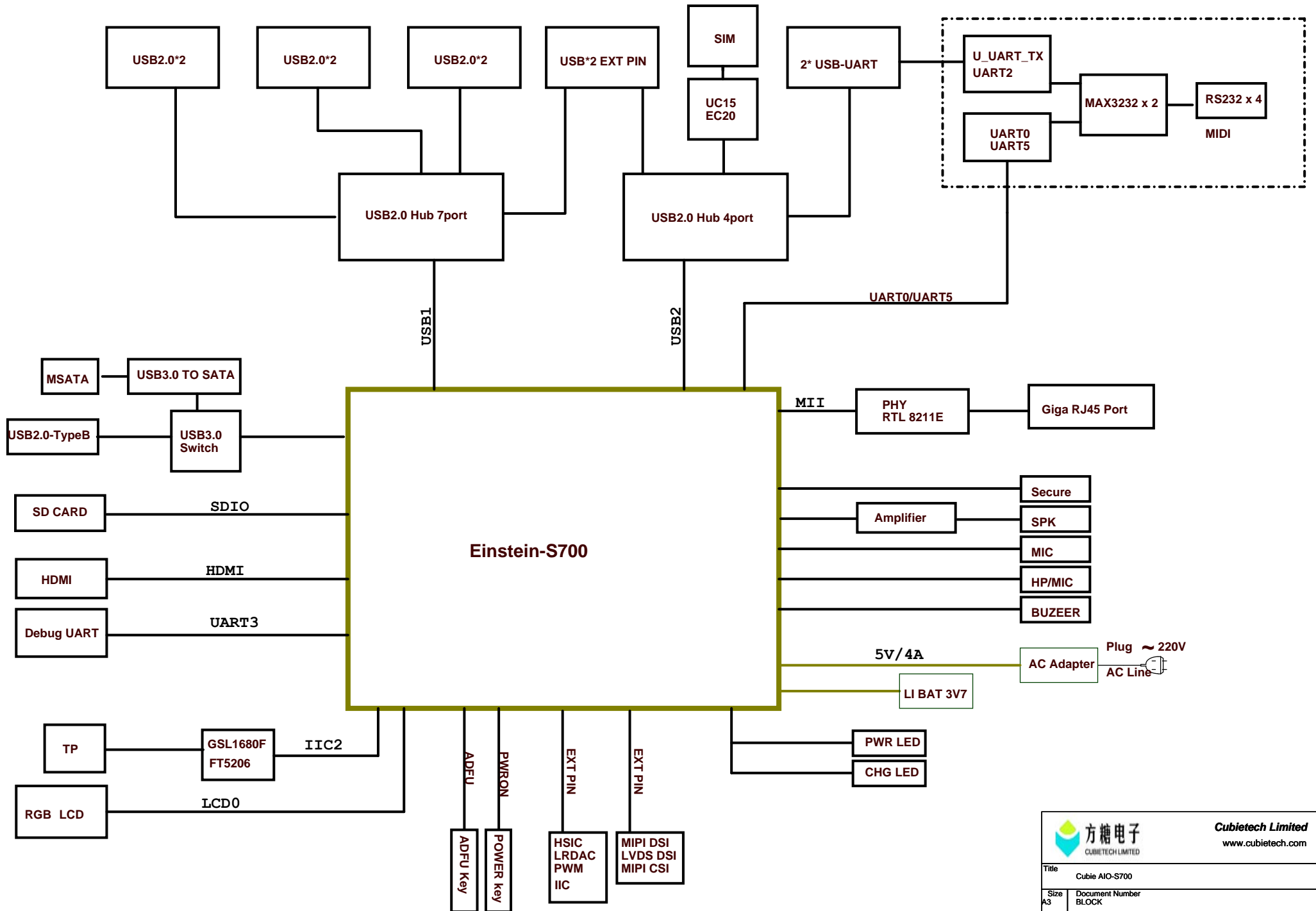
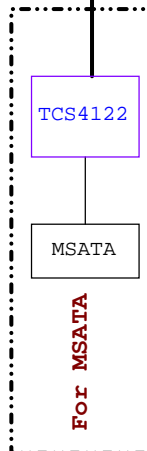
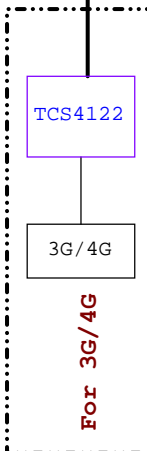
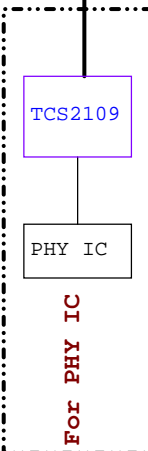
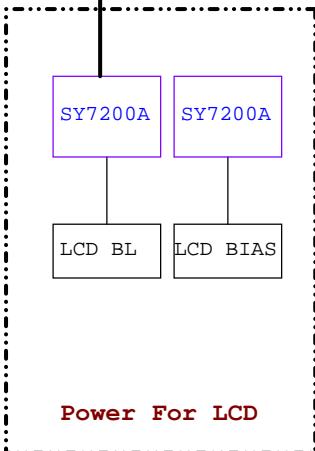
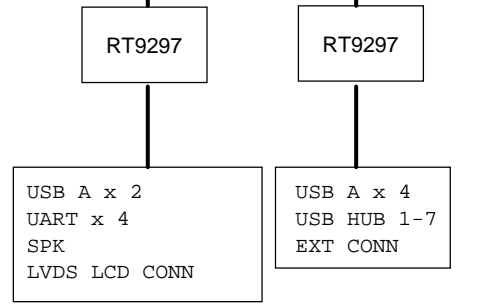
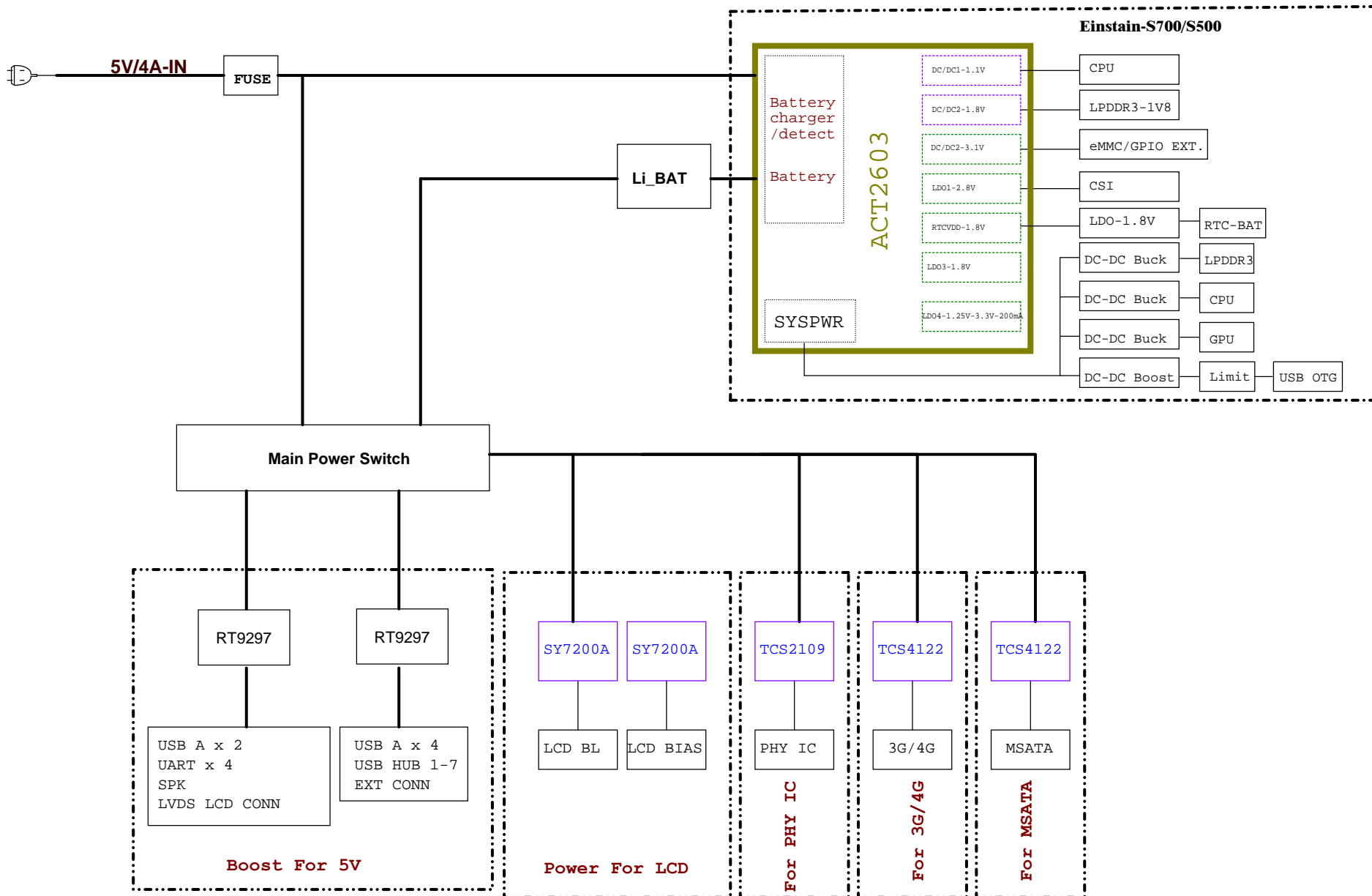


# BLOCK



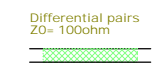
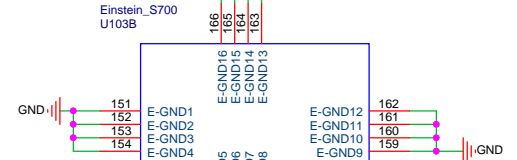
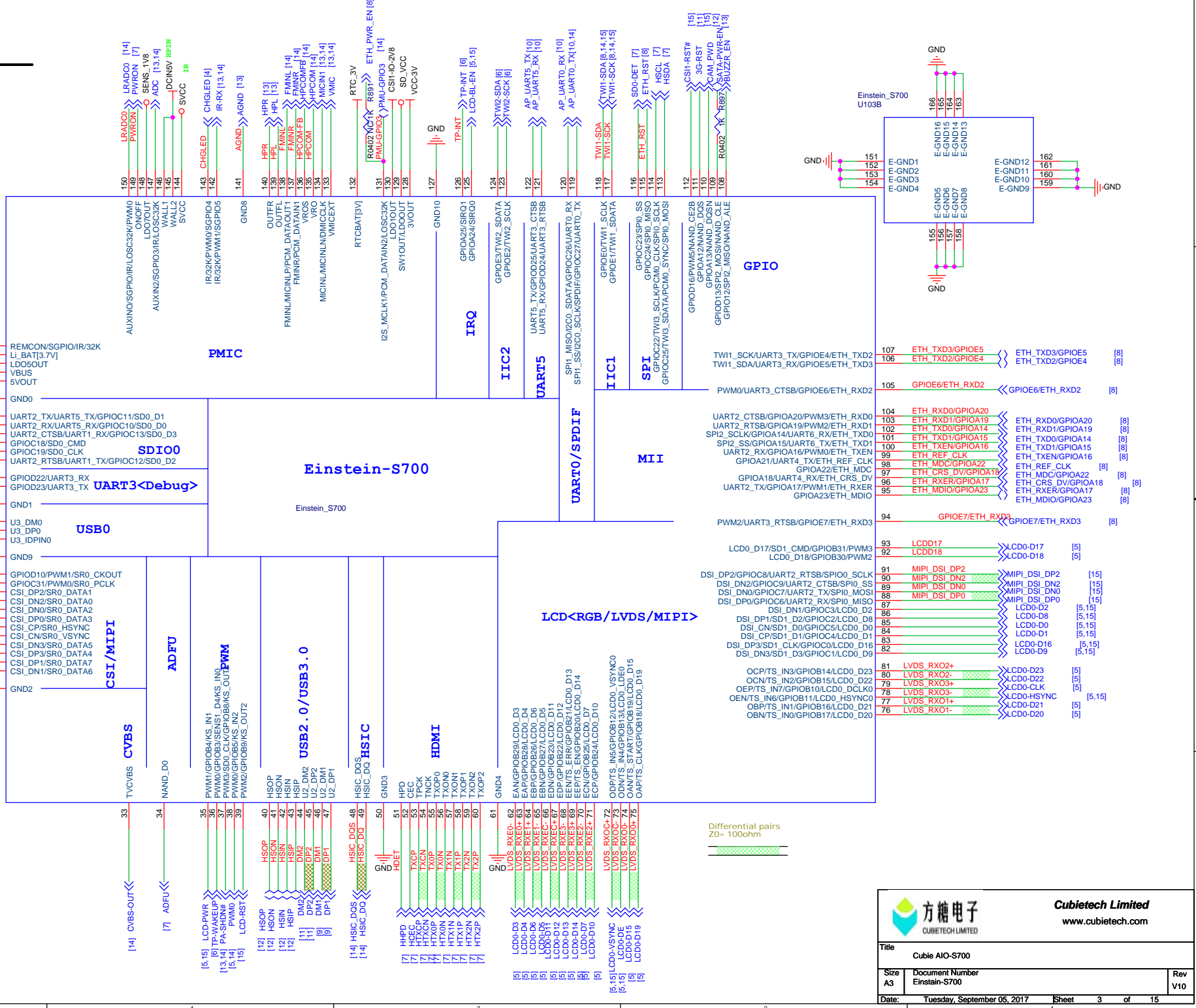
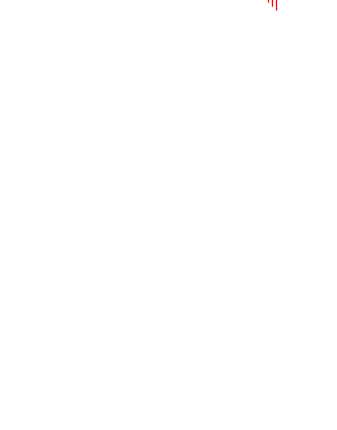
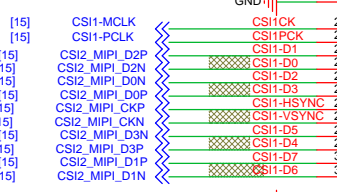
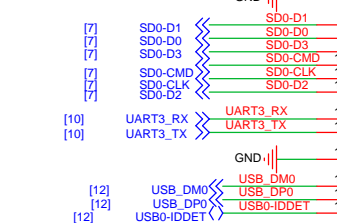
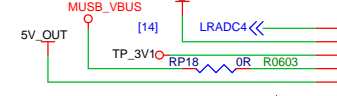
# POWER TREE




# Einstein-S700

U103A

RP18=0R, Confirm GPIOA28 is low.



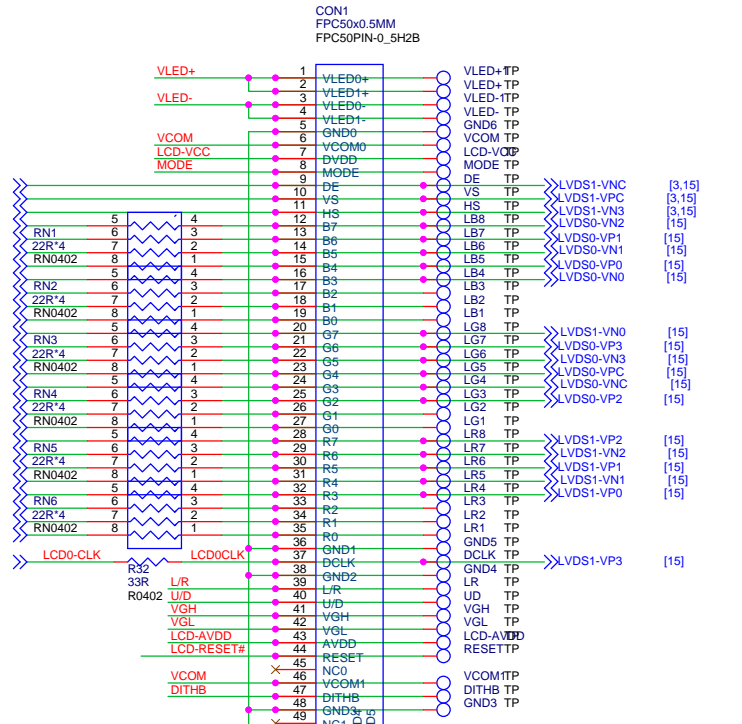
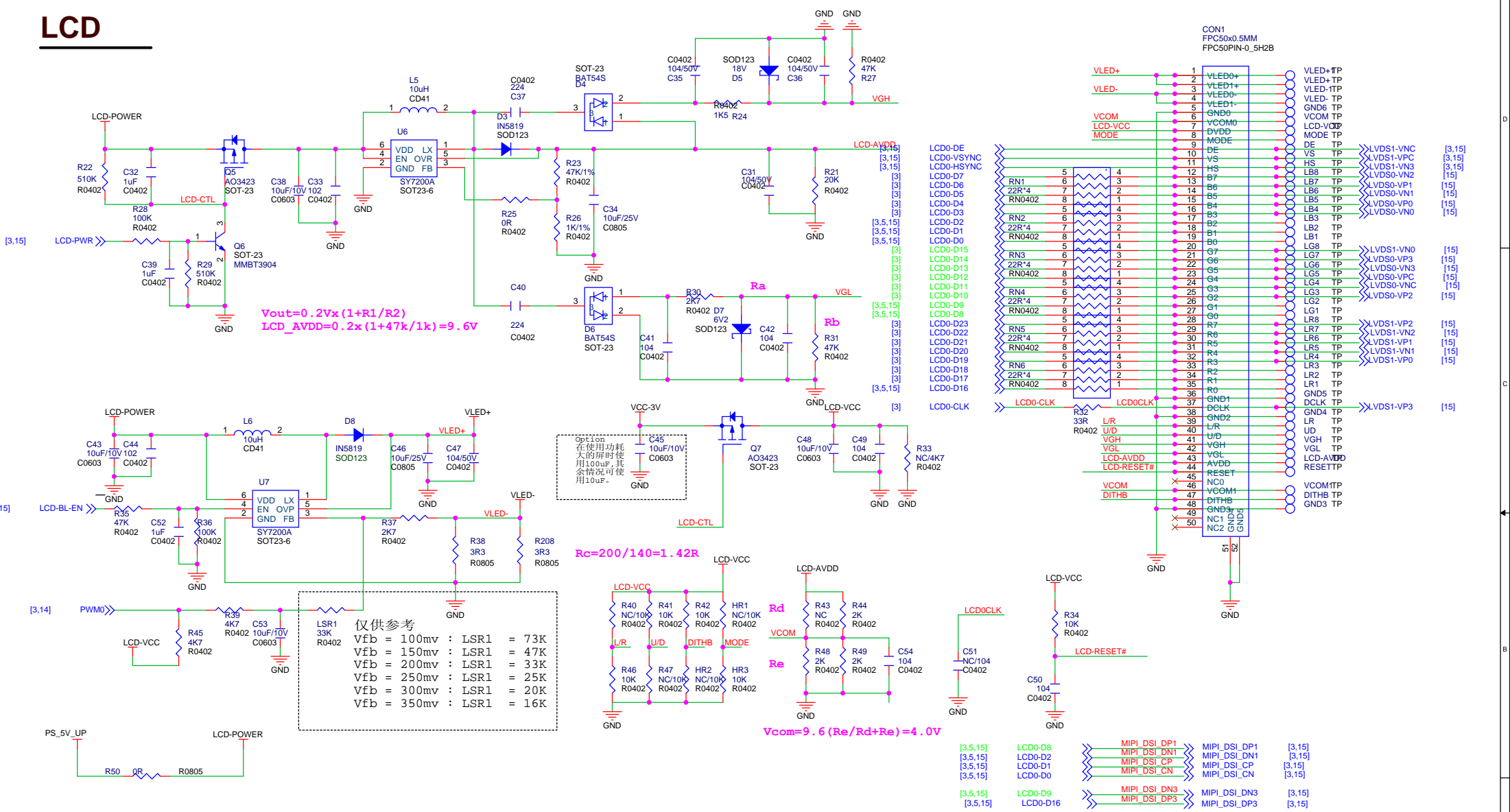



**Cubietech Limited**  
www.cubietech.com

Title Cubie AIO-S700		
Size A3	Document Number Einstein-S700	Rev V10
Date: Tuesday, September 05, 2017	Sheet 3	of 15



# LCD

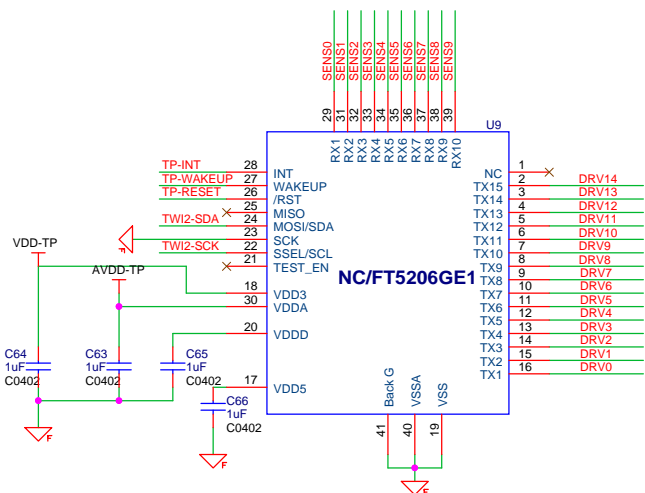
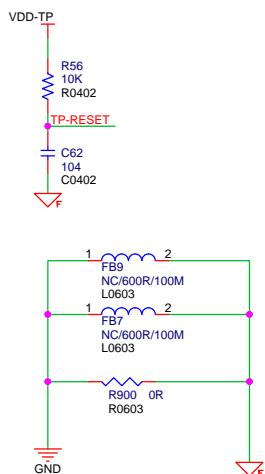
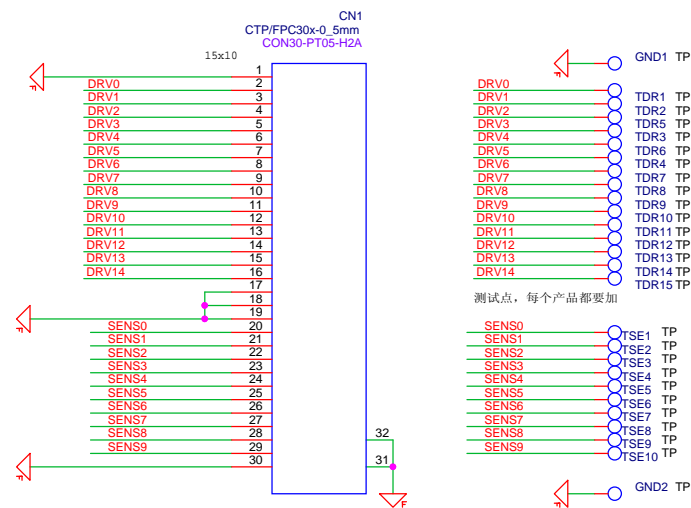
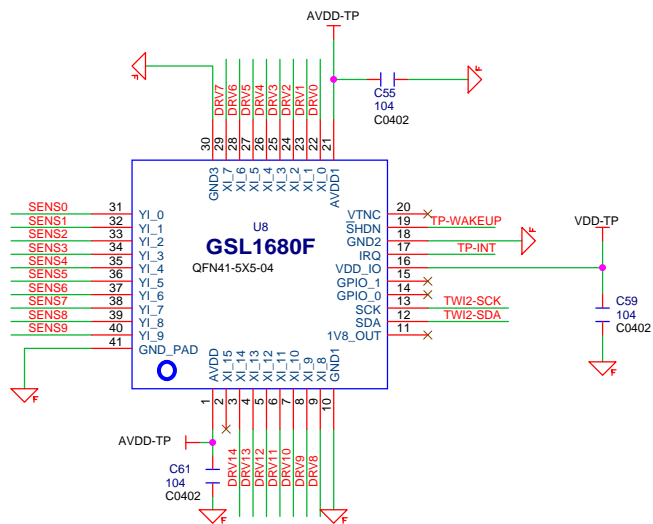
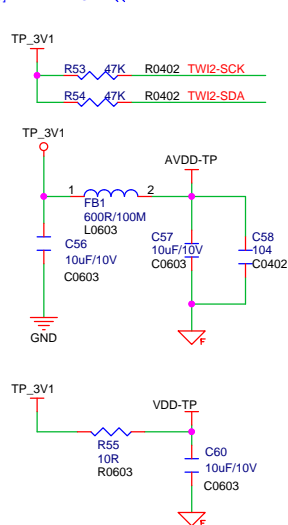




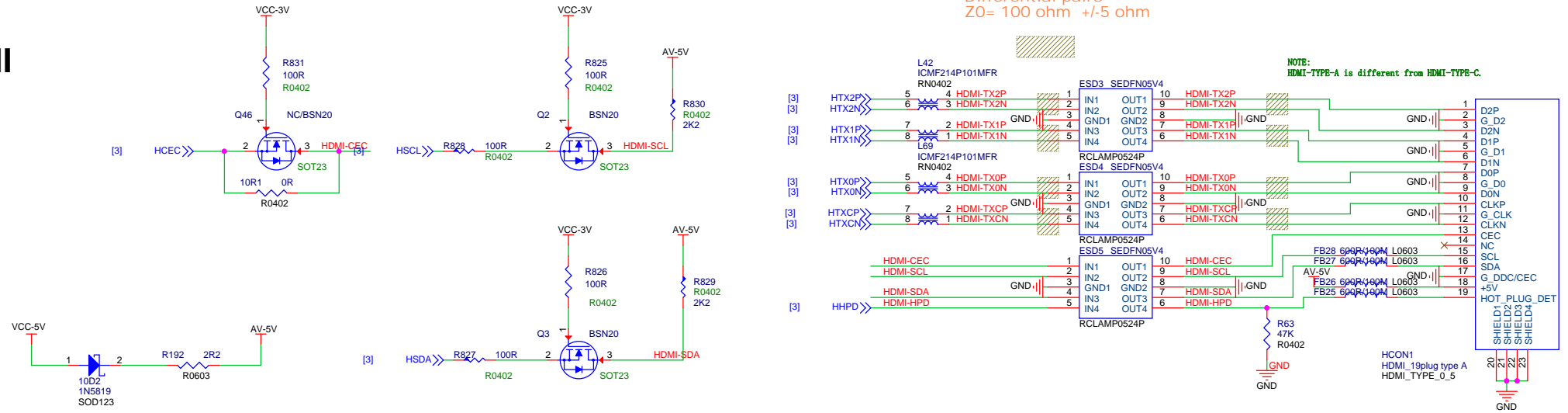
**Cubietech Limited**  
www.cubietech.com

Title: Cubie AIO-S700		
Size: A3	Document Number: LCD	Rev: V10
Date: Tuesday, September 05, 2017	Sheet: 5	of: 15

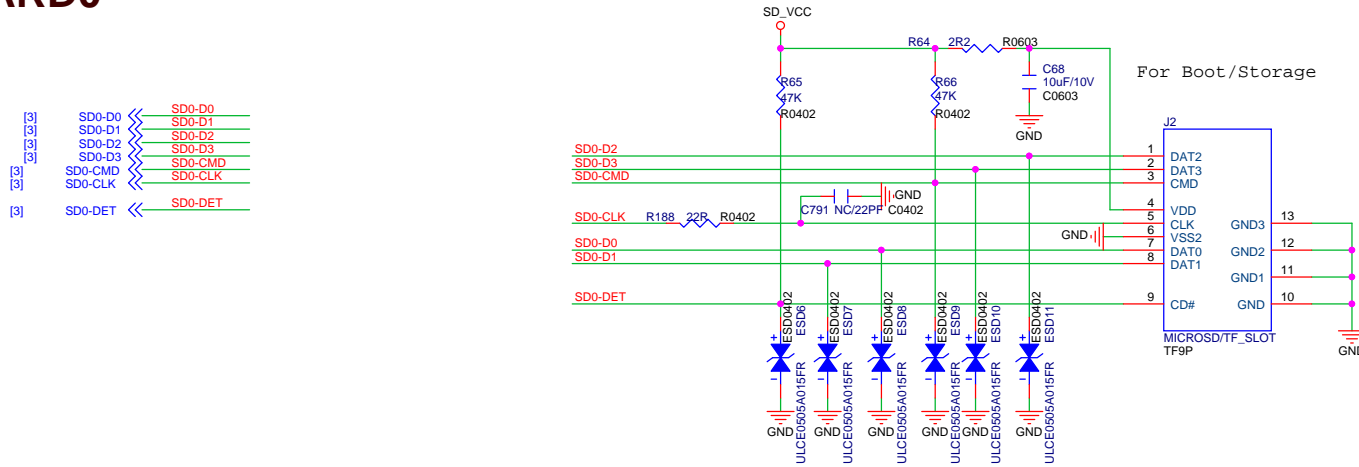
# TP



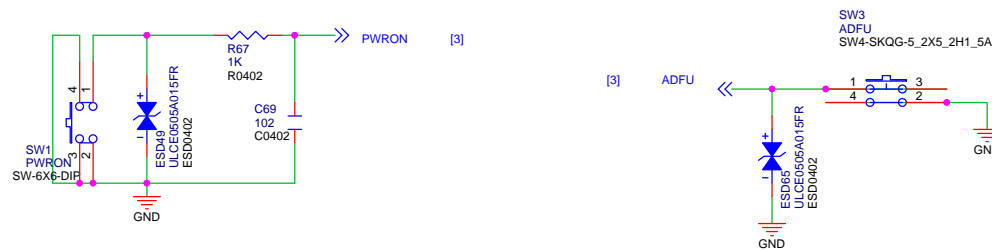
# HDMI



# CARD0



# KEY



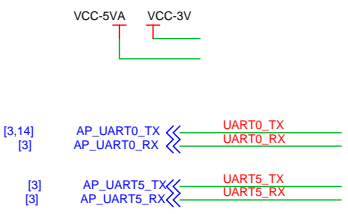
		<b>Cubietech Limited</b> <a href="http://www.cubietech.com">www.cubietech.com</a>
<b>Title</b> Cubie AIO-S700		
<b>Size</b> A3	<b>Document Number</b> HDMI/Card/Key	<b>Rev</b> V10
<b>Date:</b> Tuesday, September 05, 2017 <b>Sheet</b> 7 <b>of</b> 15		



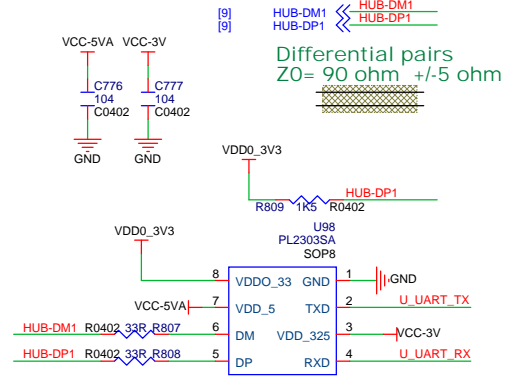




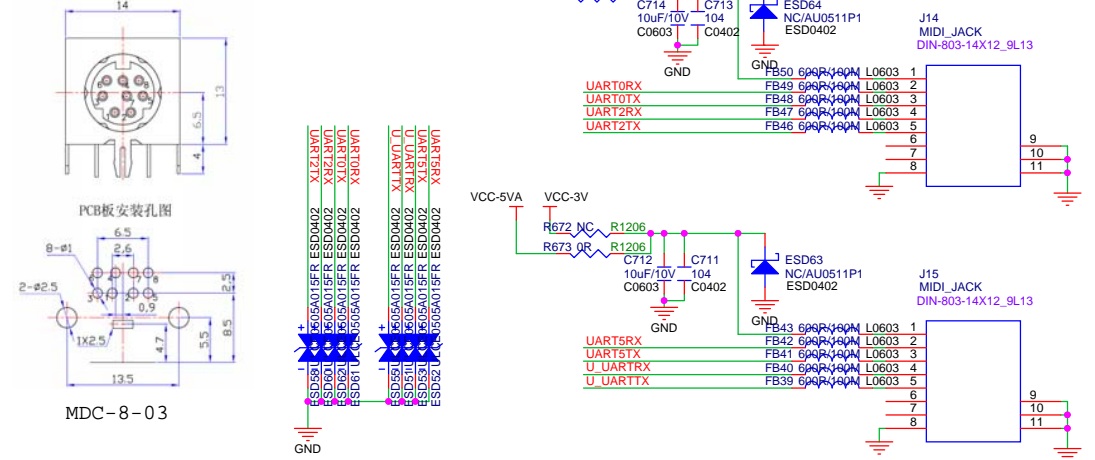
# UART x 4



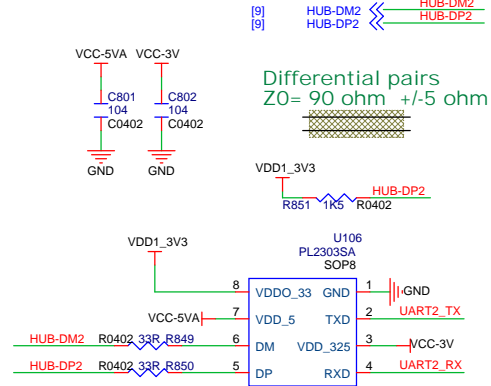
# USB TO UART1



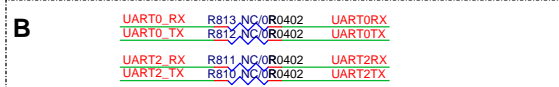
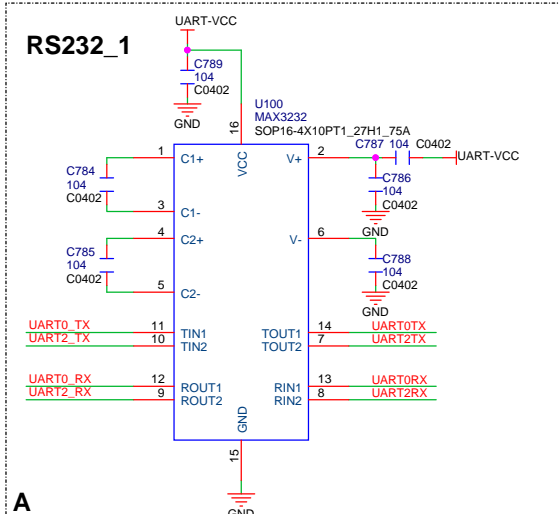
# MIDI JACK



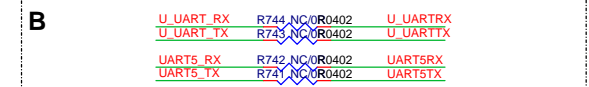
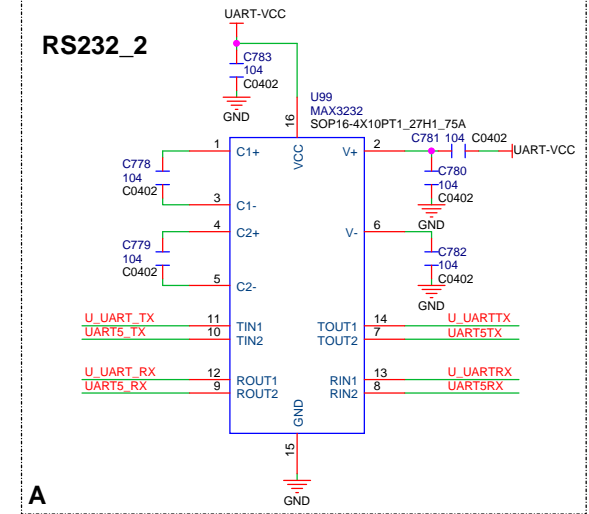
# USB TO UART2



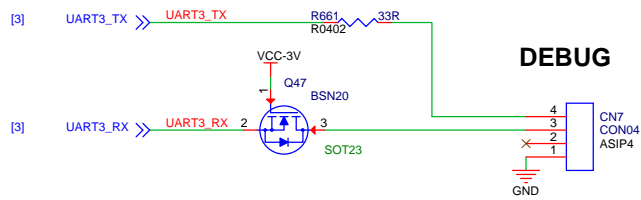
# RS232\_1



# RS232\_2



# UART3

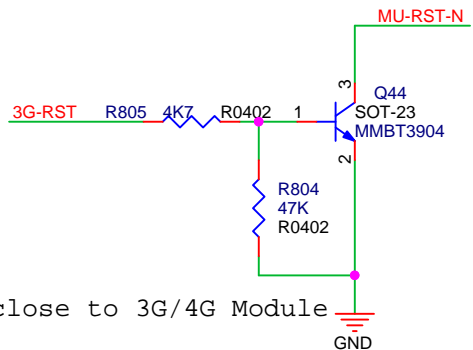
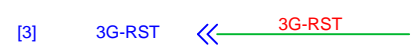
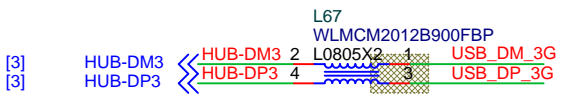


# DEBUG

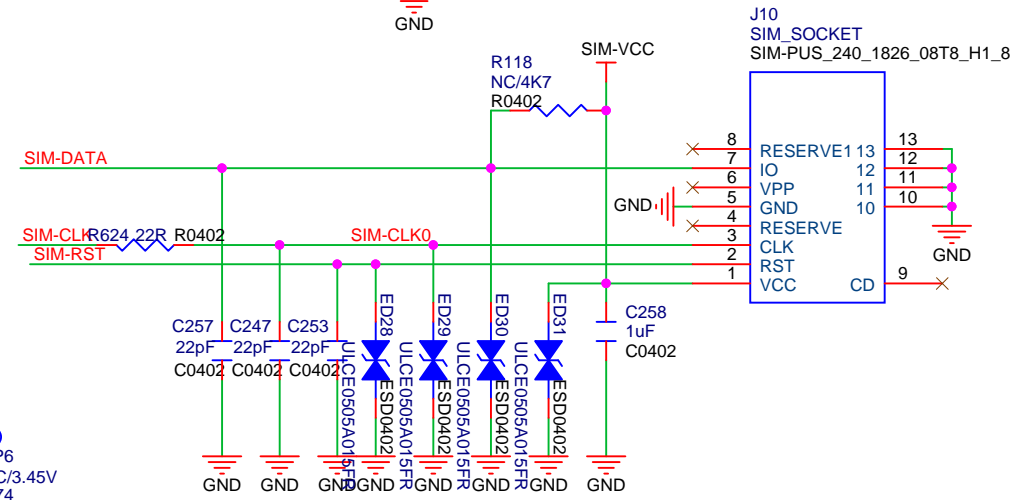
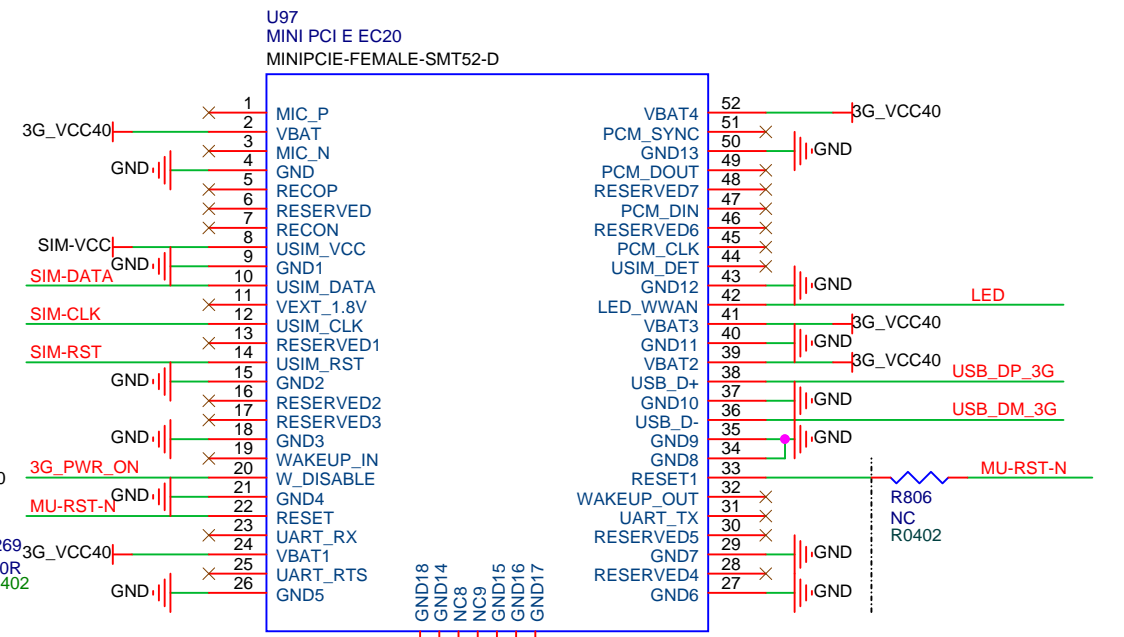
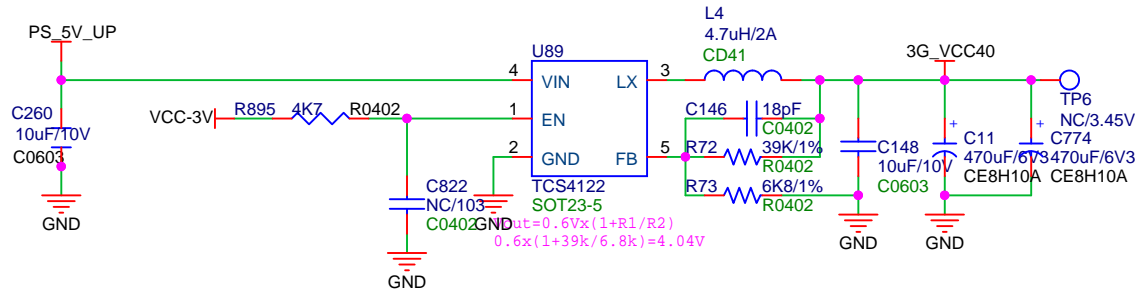
		<b>Cubietech Limited</b> <a href="http://www.cubietech.com">www.cubietech.com</a>
Title: Cubie AIO-S700		
Size: A3	Document Number: UART(RS232) x 4	Rev: V10
Date: Tuesday, September 05, 2017		
Sheet: 10		of 15


# 4G MODULE

RF Microstrip  
Z0= 90 ohm



close to 3G/4G Module





方糖电子  
CUBIETECH LIMITED

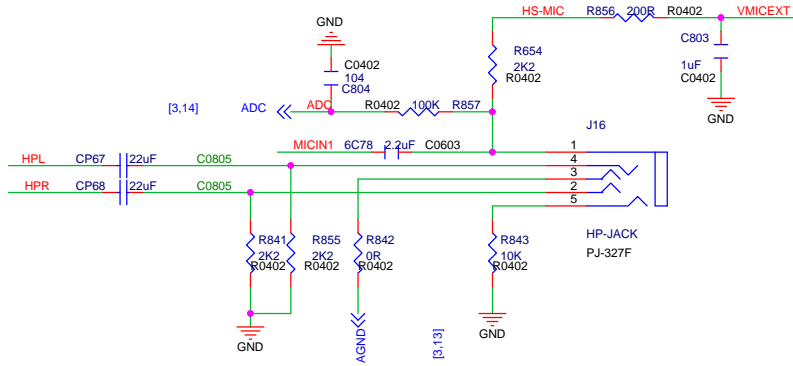
**Cubietech Limited**  
www.cubietech.com

Title		
Cubie AIO-S700		
Size	Document Number	Rev
A4	3G/4G	V10
Date:	Tuesday, September 05, 2017	Sheet 11 of 15



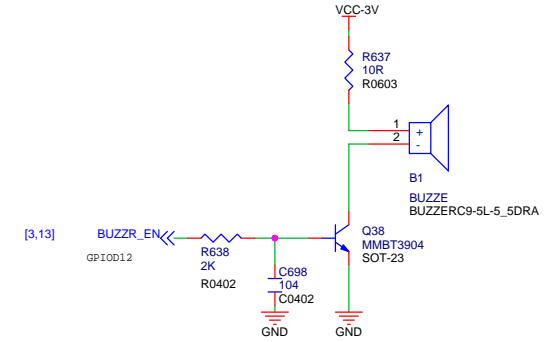
# Head Phone

- [3] HPL
- [3] HPR
- [3,13,14] VMIC
- [3,13,14] MICIN1



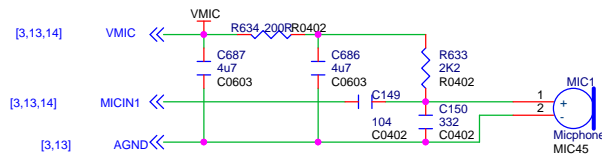
# BUZEER

- [3,13] BUZZR\_EN



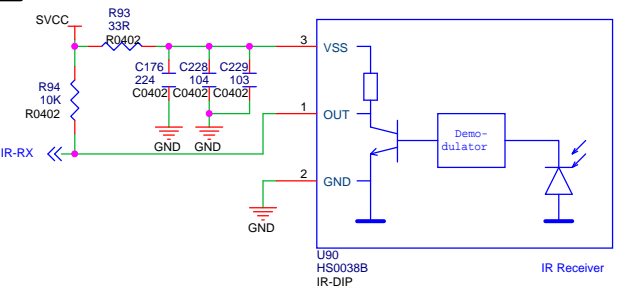
# Microphone

- [3,13,14] VMIC
- [3,13,14] MICIN1
- [3,13] AGND



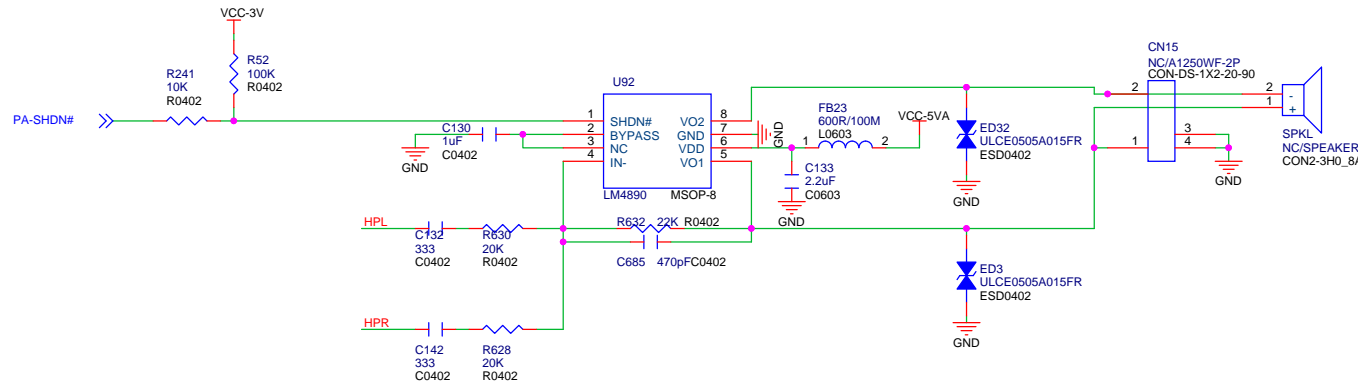
# IR MODULE


- [3,14] IR-RX



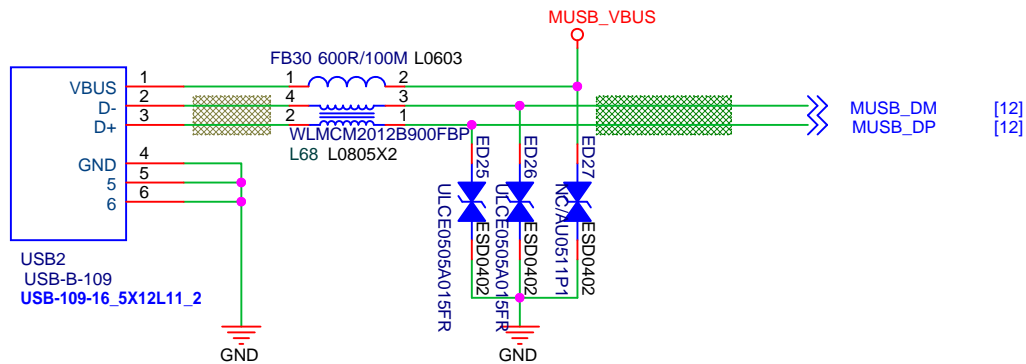
# SPK

- [3,14] PA-SHDN#

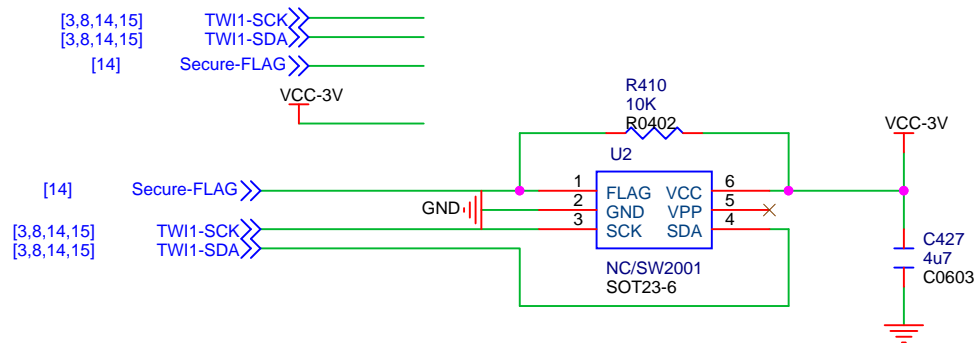


 <b>方糖电子</b> CUBIETECH LIMITED		<b>Cubietech Limited</b> www.cubietech.com	
Title: Cubie AIO-S700			
Size A3	Document Number HP/MIC/SPK/BEE	Date: Tuesday, September 05, 2017	Rev V10
Sheet 13 of 15			

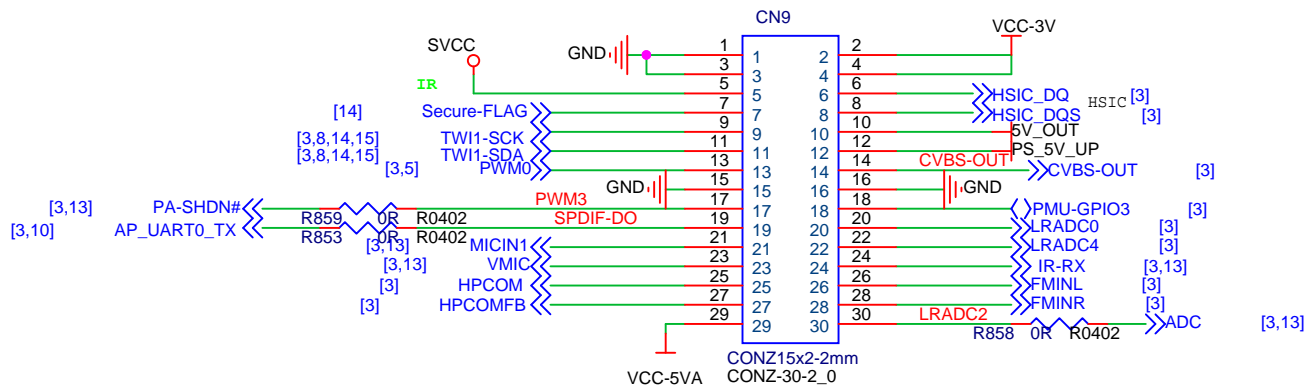
# USB-B



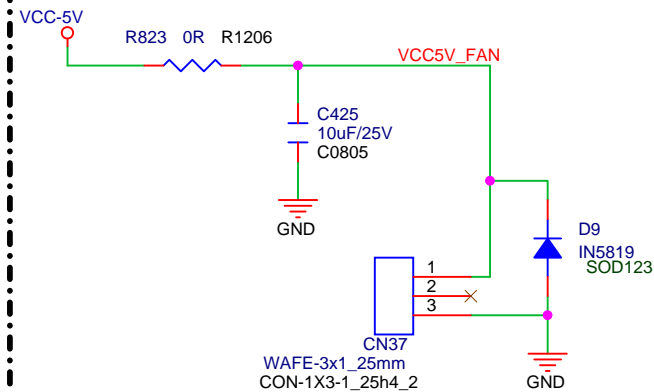
# Secure



# Extention interface



# FAN

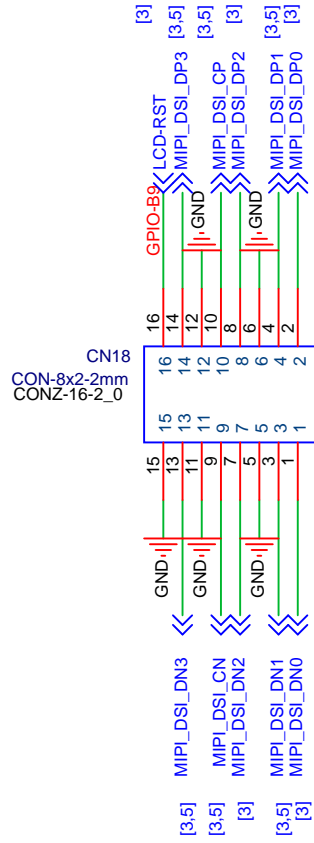
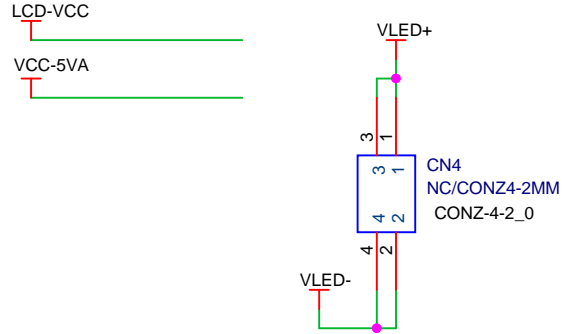


**Cubietech Limited**  
www.cubietech.com

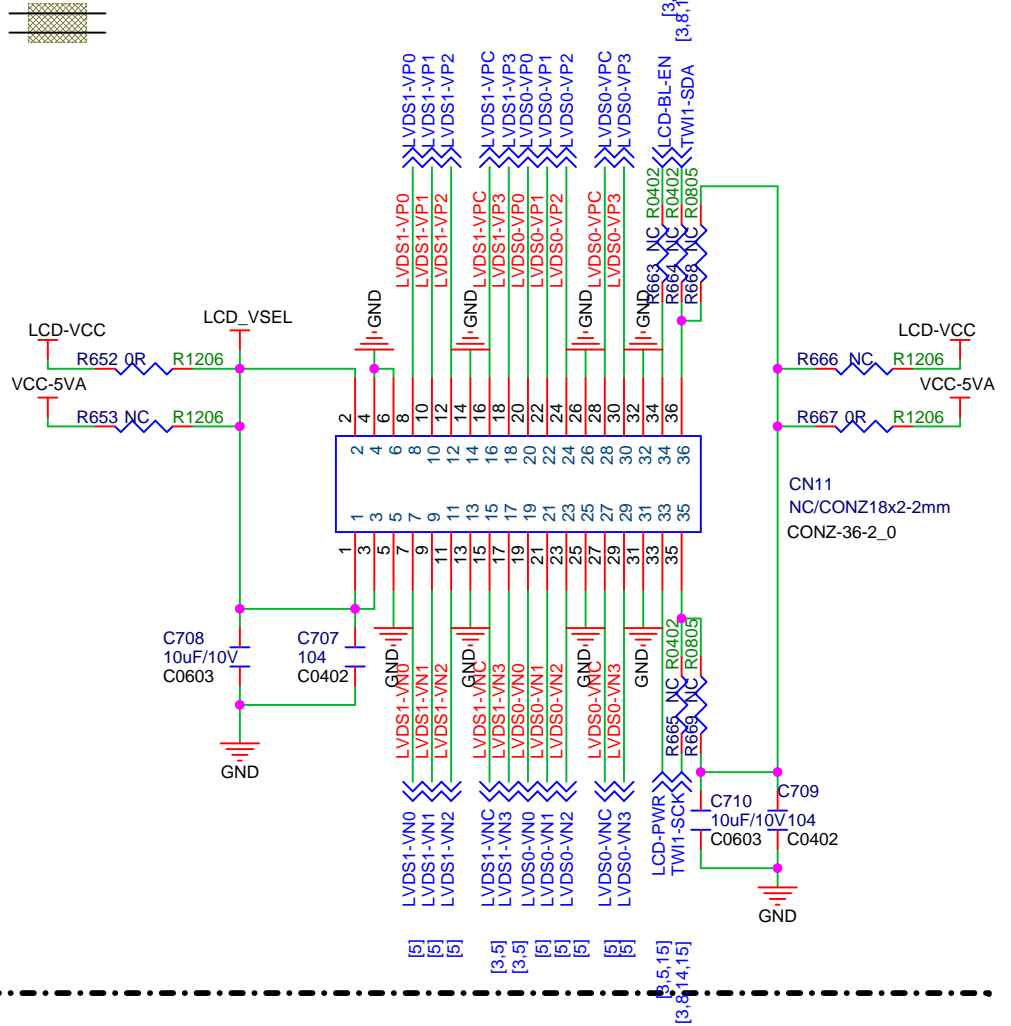
Title		
Cubie AIO-S700		
Size	Document Number	Rev
A4	EXT.GPIO/Secure	V10
Date:	Tuesday, September 05, 2017	Sheet 14 of 15

# MIPI / LVDS LCD

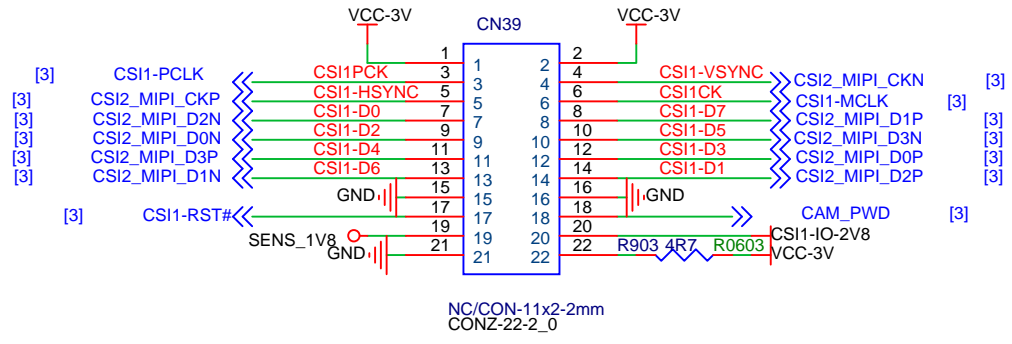
[3,8,14,15] TWI1-SDA  
 [3,8,14,15] TWI1-SCK  
 [3,5,15] LCD-PWR  
 [3,5,15] LCD-BL-EN




Differential pairs  
 $Z_0 = 100 \text{ ohm} \pm 5 \text{ ohm}$



# MIPI/DVP Camera





**方糖电子**  
CUBIETECH LIMITED

**Cubietech Limited**  
www.cubietech.com

Title		
Cubie AIO-S700		
Size	Document Number	Rev
A4	LCD Con & CSI Con	V10
Date:	Tuesday, September 05, 2017	Sheet 15 of 15