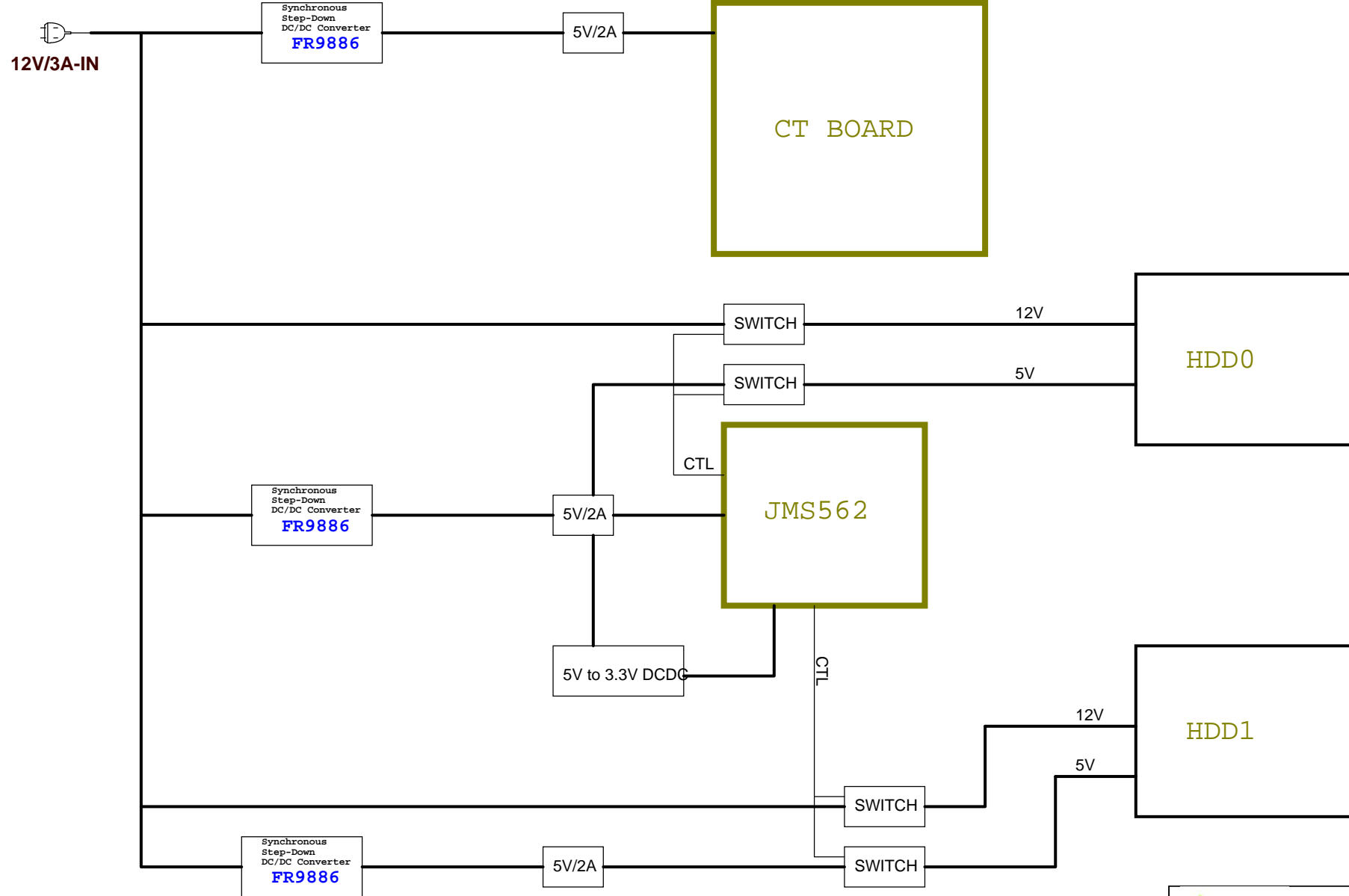
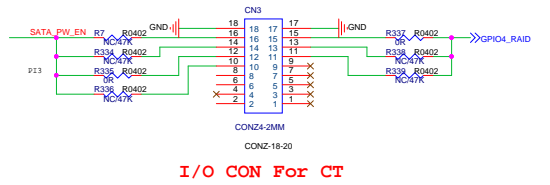
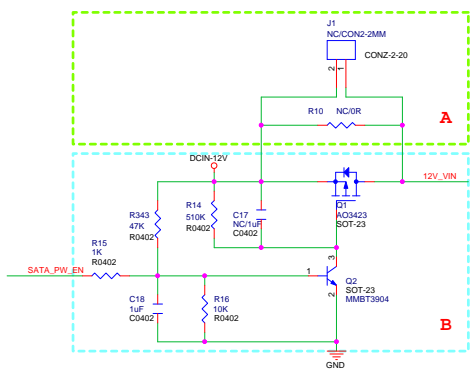
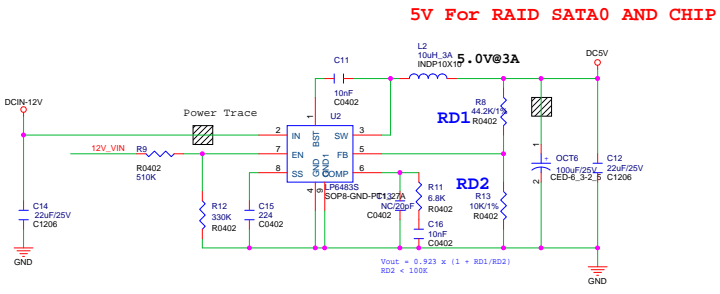
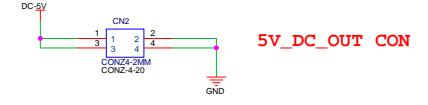
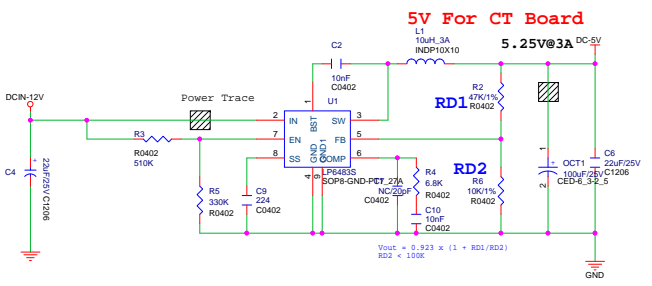
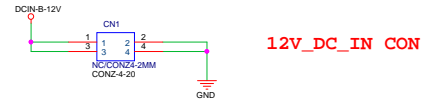
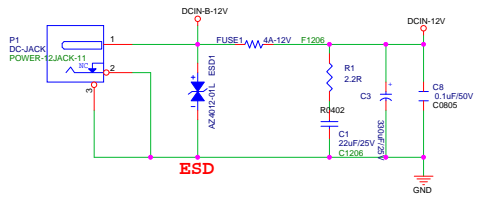


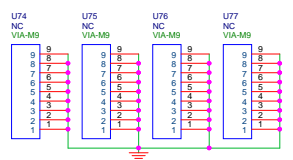
POWER TREE





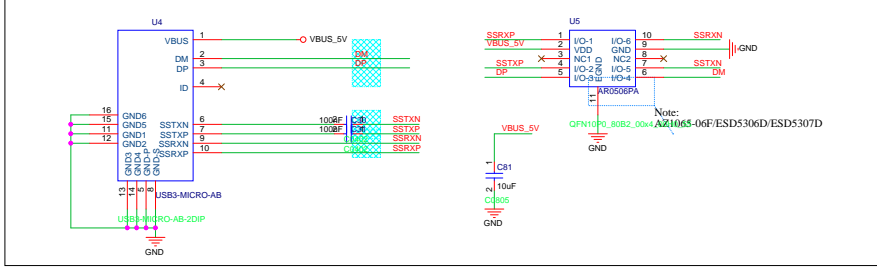
针对于CT:
要求上电后PI3输出高电平。

- Power on Sequence:
- 1.12V接入时, B部分工作, 整个板子正常工作.
 - 2.当接入CT时, SATA_PW_EN可以控制开关.

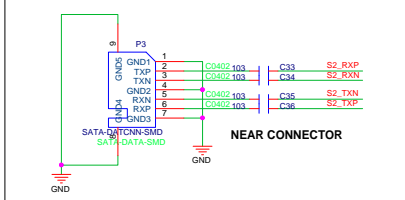


SATA RAID

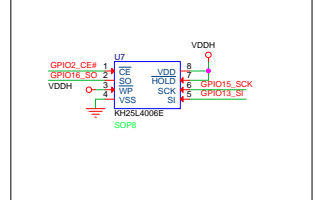
USB3.0



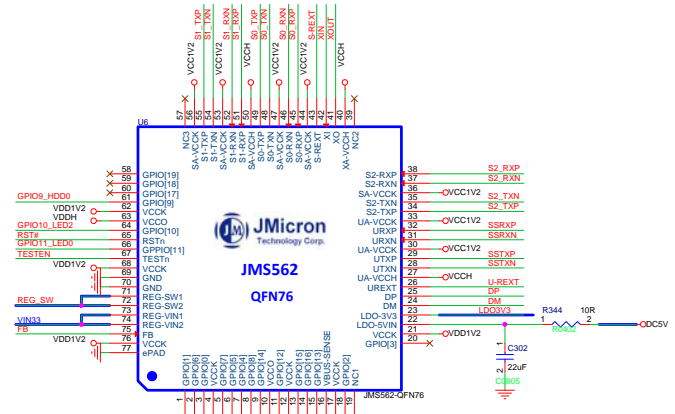
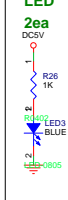
SATA INPUT



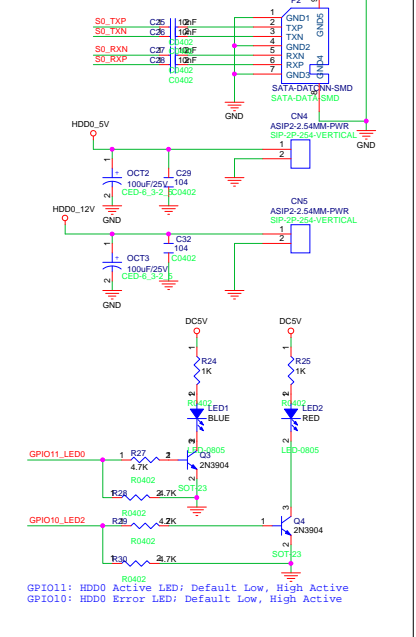
SPI Flash



PWR LED

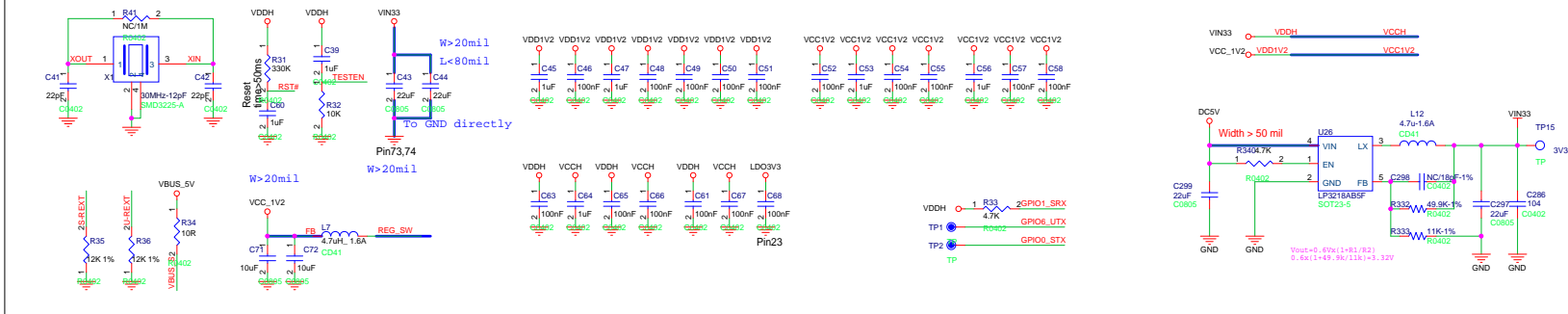


HDD0 CONN AND IND

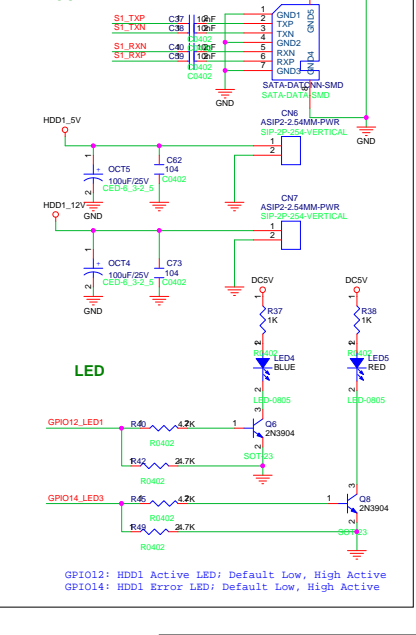


GPIO11: HDD0 Active LED; Default Low, High Active
GPIO10: HDD0 Error LED; Default Low, High Active

BESIDE CHIP

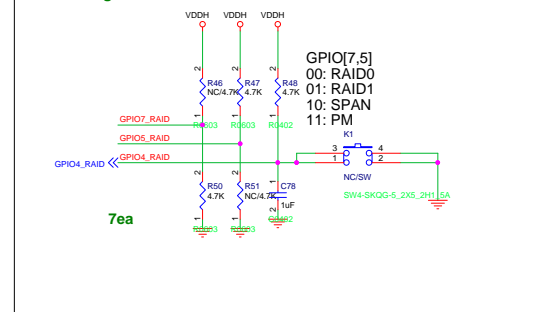


HDD1 CONN AND IND



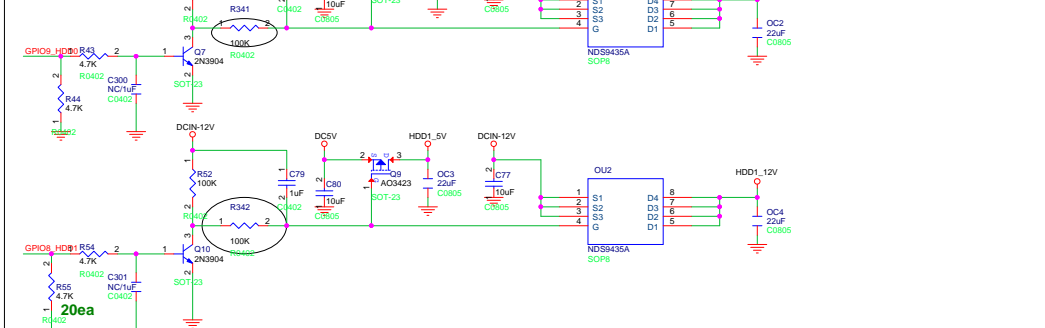
GPIO12: HDD1 Active LED; Default Low, High Active
GPIO14: HDD1 Error LED; Default Low, High Active

RAID Config



GPIO[7,5]
00: RAID0
01: RAID1
10: SPAN
11: PM

HDD_PWR



HDD RAID BOARD Change List

1. 将R3, R9修改为510K.
2. 将R5, R12修改为330K.
3. 将R16修改10K. R15改为1K.
4. 将R43, R54, R44, R55改为4.7K.
5. 将R8改为44.2K_1%
6. 将C9, C15改为220nF
7. 将C43, C44改为22uF
8. 将U26改为LP3218AB5F
9. 增加R341, R342为100K.
10. 将L1, L2改为10uH_3A
11. 将C60改为1uF
12. 增加R343=47K
13. 修改OU1, OU2的封装为SOP-8
14. 修改C39的封装为C0402
15. 增加R344为10R电阻.
16. 将C300, C301改为NC.
17. 将L7改为4.7uH_1.6A
18. 针对CT软件控制, 增加文字标注.



Cubietech Limited
www.cubietech.com

Title <Title>		
Size A	Document Number <Doc>	Rev <RevCode>
Date:	Thursday, July 23, 2015	Sheet 4 of 4